



Portable Platform PAL-100

The GREEN Portable Platform, PAL-100, is designed to provide safe access and fall protection on the tops of tank and bulk trucks.

This self-supporting unit provides portable access with a safety cage designed for applications that do not allow the ability to use permanent truck loading platforms, or when space is limited.



Features

GREEN Portable Platforms have many unique features:

- Adjustable height from 9' to 13'
- Self-supporting design.
- Work platform 2' x 4' long, with grip strut surface
- Rubber bumpers to prevent direct contact with the vehicle
- Ergonomically designed, manual cable operation
- Outriggers are adjustable and designed to be used at all heights

Materials of Construction

Rugged construction includes:

- Welded steel frame with aluminum safety cages
- 2, 10" swivel casters with brakes (steel with mold-on rubber)
- 2, 10" fixed direction casters (steel with mold-on rubber)

Finish

- Hot dipped galvanized
- Gray enamel / Safety Yellow
- Custom finishes available

Self-Supporting Design

- Counterweighted design allows access without being supported by the vehicle.
- Rated to 500 lbs.

Safety Cages

- Standard Tank Truck and Railcar designs available
- Custom designed safety cages to meet your specific application

Engineering

Custom designed units are available. Contact us for more information on getting started today!

Options

- 10" foam filled tires available for use on rough terrain such as gravel or asphalt
- Optional tow-bar for pulling unit around facility - removable
- Optional self-closing swing gates at either end of platform for increased operator fall prevention



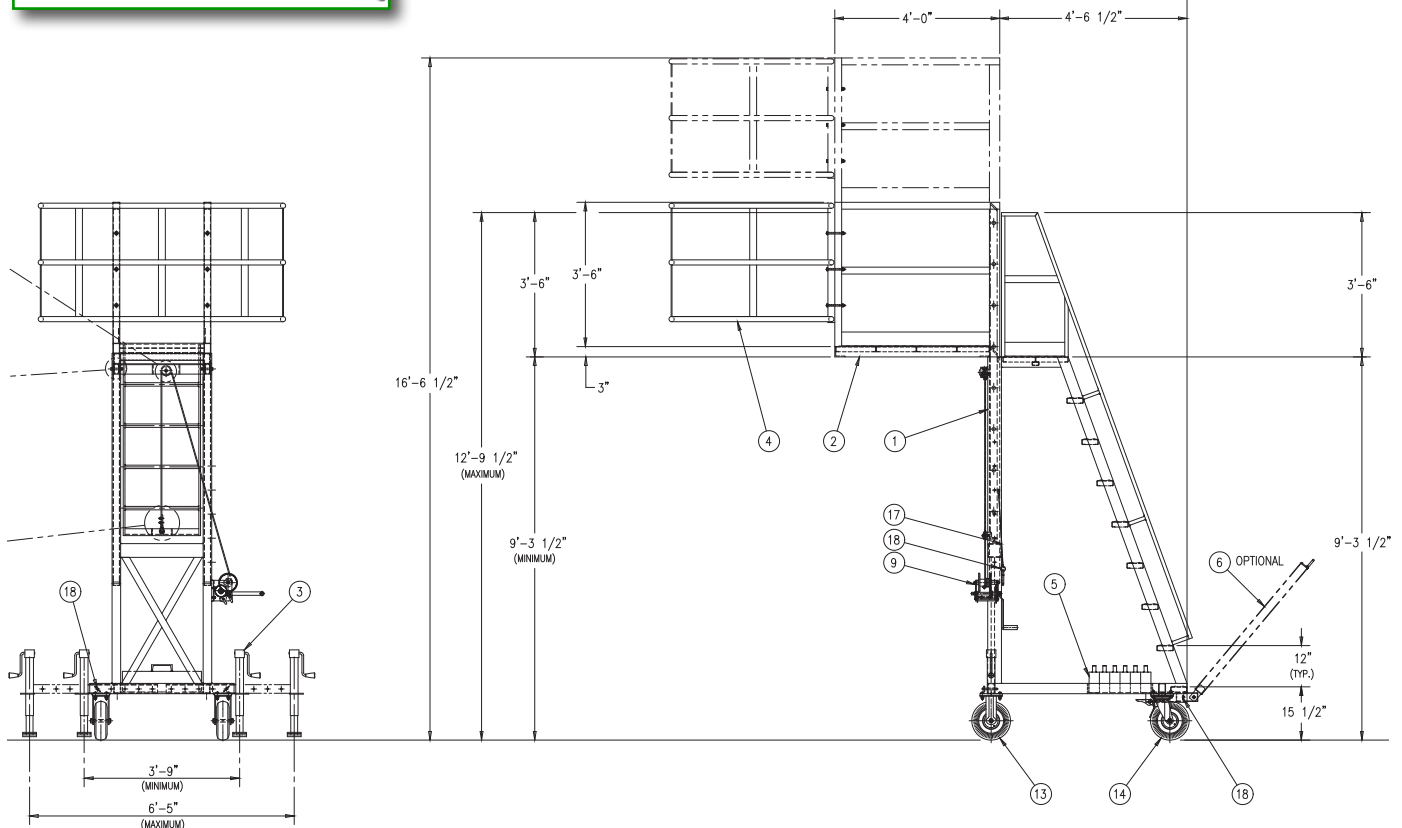
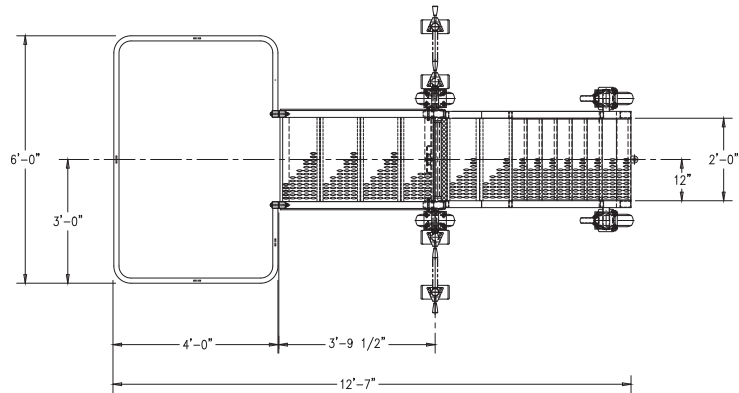
Manufactured by: **BENKO PRODUCTS**
ENGINEERED TO BE MORE

Benko Products Inc. · 5350 Evergreen Pkwy · Sheffield Village, Ohio · 44054
Phone (440) 934-2180 · Fax (440) 934-4052 · email: sales@benkoproducts.com
---- www.BenkoProducts.com ----



Portable Platform: PAL-100

Always confirm unit dimensions with your sales representative prior to ordering!



Contact us for more information on a custom solution for your application!

BENKO PRODUCTS
ENGINEERED TO BE MORE

WARRANTY: All products manufactured by Benko Products, Inc. have a one (1) year warranty (unless otherwise specified) from the date of shipment against defects in workmanship or material. Any part or component, except items covered by warranties of other manufacturers, returned to the factory or service center freight prepaid by the owner, found upon examination by Benko Products, Inc. to be defective or the result of improper workmanship by the factory will be repaired or replaced without charge and returned to the owner freight prepaid by Benko Products, Inc. Any alterations of Benko Products, Inc. products void any warranty or liability on the part of Benko Products, Inc. Benko Products, Inc. does not guarantee product capacity if alterations are made.